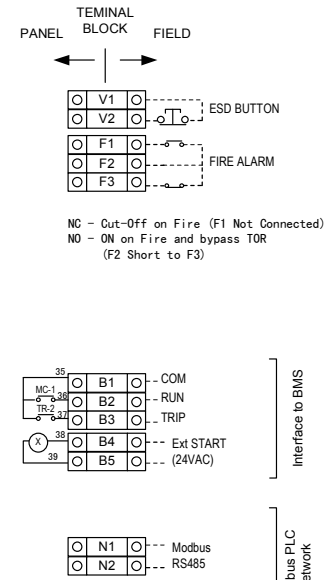
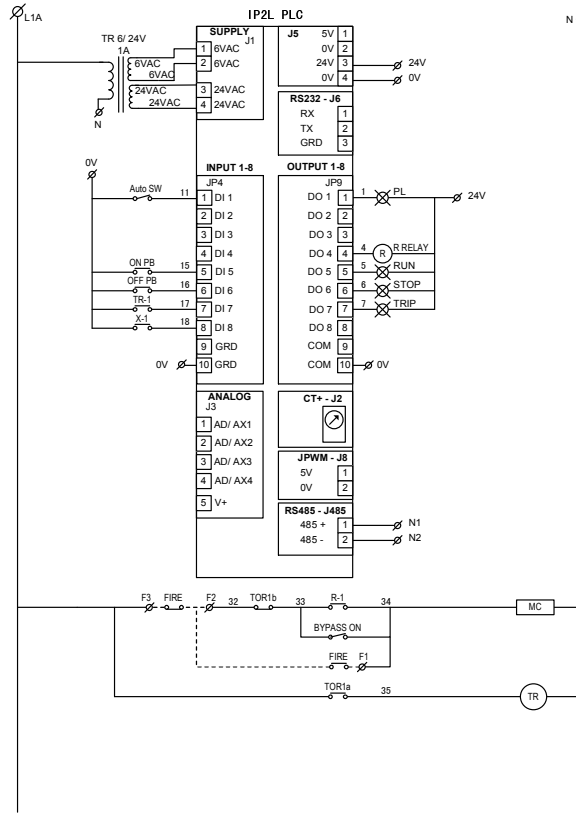
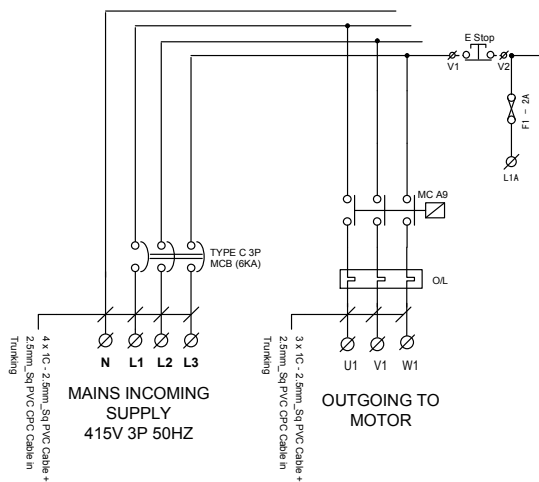
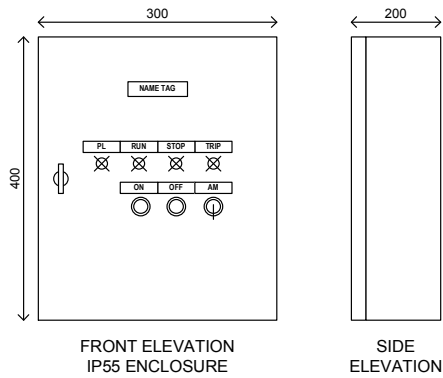


**Only For
\$ 334.95**
(Exclude GST)



REV.	DESCRIPTION	CHECK BY	DATE

- FEATURES :-
- ❖ AM MODE SELECTION
 - ❖ EXT START/STOP CONTROL (24VAC)
 - ❖ INTERLOCK WITH ESD/ FIRE ALARM
 - ❖ PROVISION FOR VOLT-FREE CONTACTS FOR INTERFACE WITH BAS
 - ❖ MODBUS RTU (OPTIONAL)

DRAWING TITLE
LOCAL CONTROL PANEL FOR DOL STARTER <4KW.
EXTERNAL START/ STOP CONTROL. INTERLOCK
WITH ESD/ FIRE ALARM. BAS INTERFACING AND
MODBUS RTU

SCALE: NOT TO SCALE DRAWN BY: WML

DATE: 13TH AUG 2010 CHECKED BY:

DRAWING NUMBER
VP3-DOL