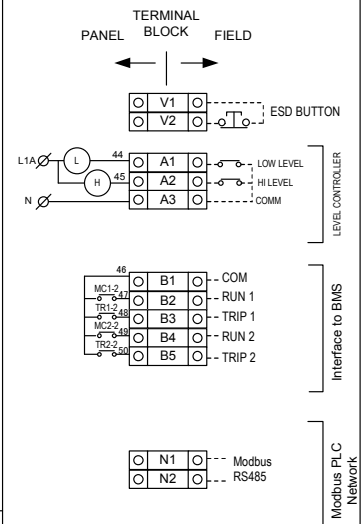
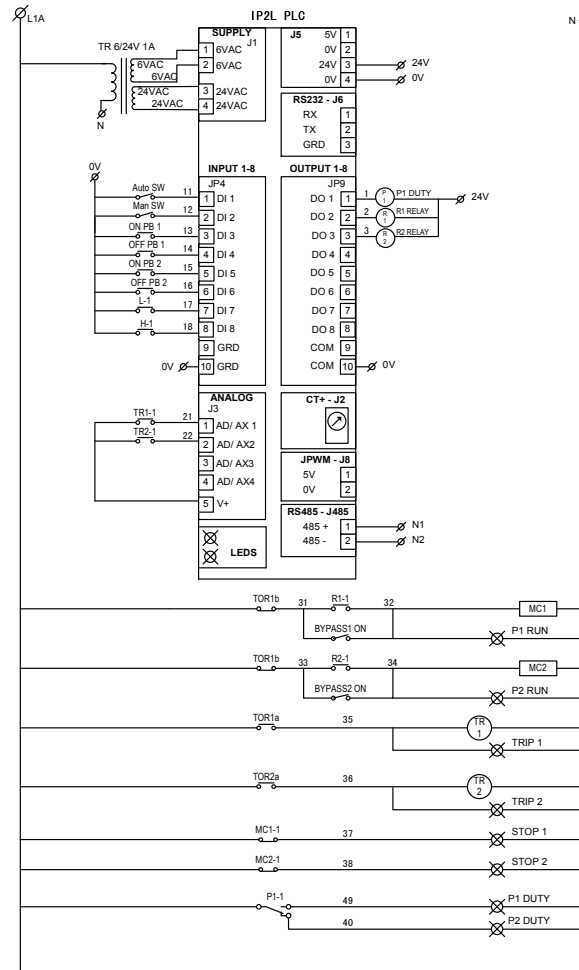
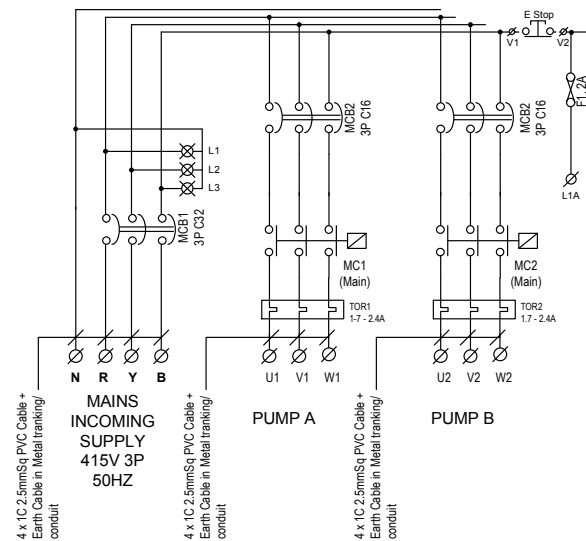
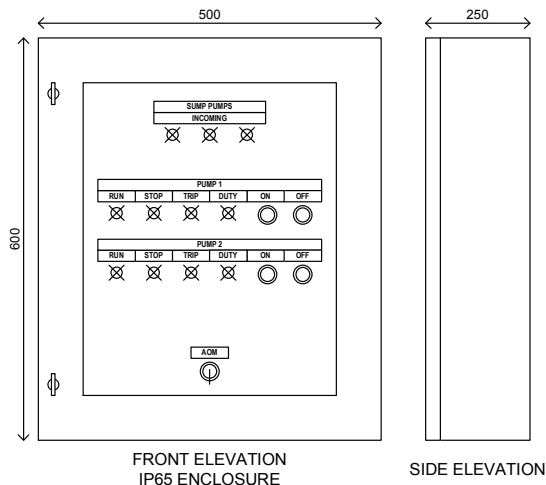


**Only For
\$ 797.80**
(Exclude GST)



REV.	DESCRIPTION	CHECK BY	DATE

- FEATURES :-
- ❖ CHANGE-OVER CONTROL (ALTERNATE START)
 - ❖ AOM MODE SELECTION
 - ❖ AUTOMATIC MODE CONTROL - DUTY PUMP RUN WHEN HIGH LEVEL AND STOP WHEN LOW LEVEL. STANDBY PUMP ACTIVATED WHEN DUTY TRIP OR FAIL TO RUN
 - ❖ INTERLOCK WITH ESD
 - ❖ PROVISION FOR VOLT-FREE CONTACTS FOR INTERFACE WITH BAS
 - ❖ MODBUS RTU (OPTIONAL)

DRAWING TITLE

LOCAL CONTROL PANEL FOR DUTY-STANDBY CHANGEOVER SUMP PUMP CONTROL FOR 2 X DOL STARTER <4KW. INTERLOCK WITH ESD, BAS INTERFACING AND MODBUS RTU

SCALE: NOT TO SCALE DRAWN BY:

DATE: 11TH JAN 2012 CHECKED BY:

DRAWING NUMBER

VP3-2DOL-SP-IP65