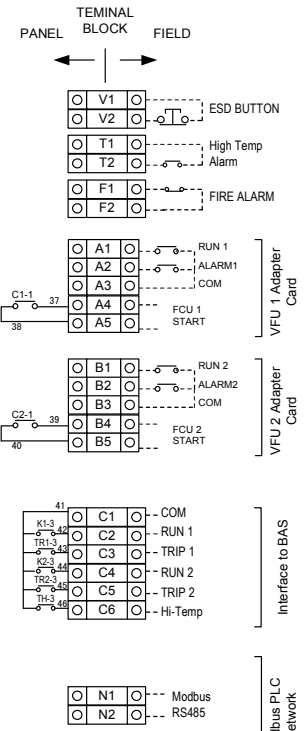
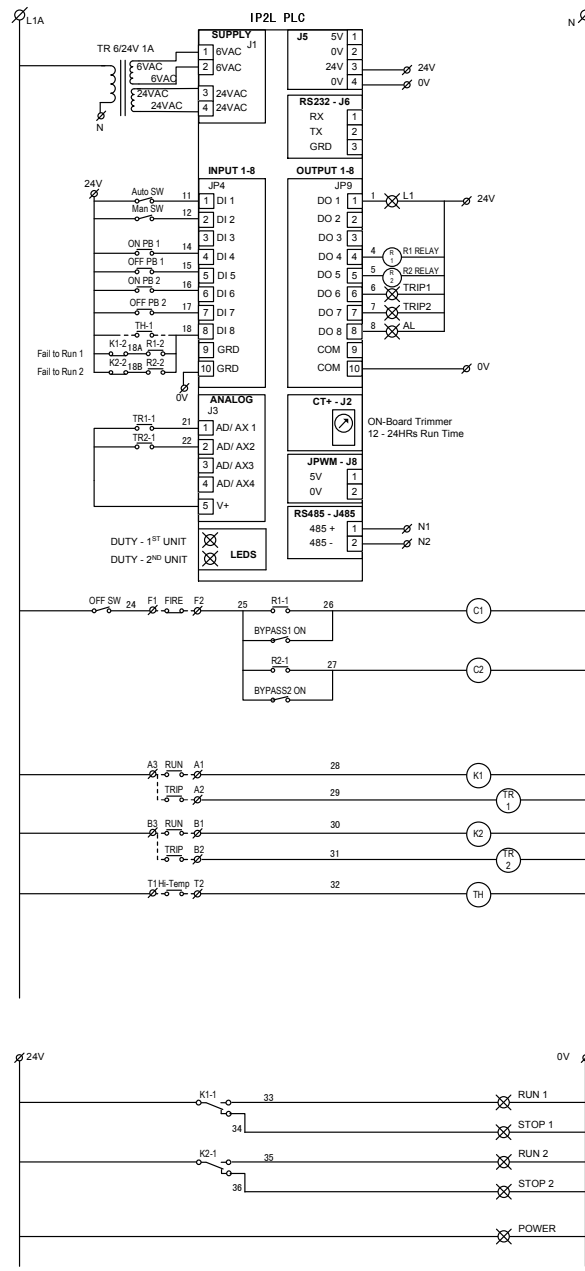
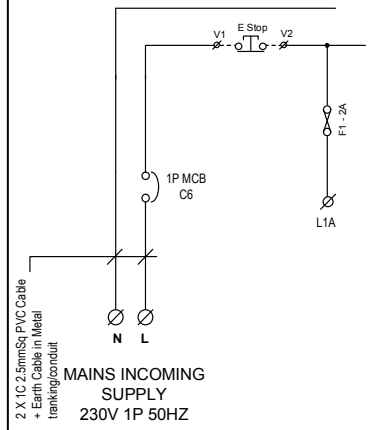
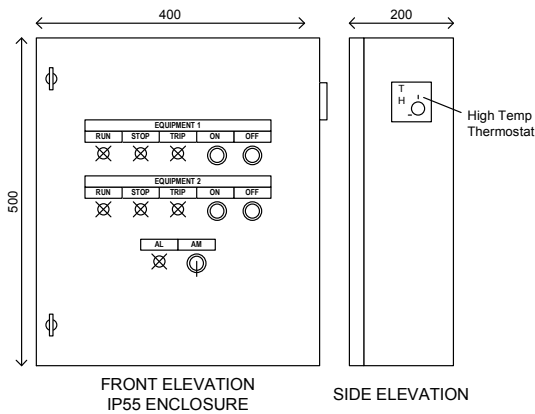


**Only For
\$ 697.80**
(Exclude GST)



REV.	DESCRIPTION	CHECK BY	DATE

FEATURES :-

- ❖ 12/24 HOURS CHANGE OVER (TRIMMER)
- ❖ AOM MODE SELECTION
- ❖ AUTOMATIC START OF STANDBY IN EVENT OF DUTY ALARM, DUTY FAIL TO RUN OR HIGH TEMPERATURE ALARM
- ❖ INTERLOCK WITH FIRE ALARM (TO STOP)
- ❖ PROVISION FOR VOLT-FREE CONTACTS FOR INTERFACE WITH BAS
- ❖ MODBUS RTU (OPTIONAL)

DRAWING TITLE

LOCAL CONTROL PANEL FOR 24HRS AIRCON.
AUTOMATIC CHANGE OVER CONTROL. INTERLOCK
WITH HIGH TEMP ALARM, ESD AND FIRE
ALARM, BAS INTERFACING AND MODBUS RTU.

SCALE: NTS DRAWN BY:

DATE: 29TH AUG 2011 CHECKED BY:

DRAWING NUMBER

VP-2FCU-24